



Urbana – the beauty of versatility

Urbana

Comprising eight different decorative models, the Urbana EPS300 range can be deployed in a wide variety of urban applications. At the same time, a distinct family design aesthetic is maintained thanks to the use of a single standard pole mount across the entire range. Whatever the application, Urbana's combination of excellent lighting performance and attractive day-time and night-time appearance adds to the ambience of the surroundings. The luminaires with Forest, Arctic and Tropic top covers address the issue of obtrusive light by means of dedicated bowls with top covers that prevent upward emission of light. The light pollution bowl Luner features a black coating on its upper hemisphere, to prevent upward light distribution. Both the opal Polar and clear Cristal bowls offer a choice of soft, diffuse lighting and bright, direct illumination.

Benefits

- Choice of 8 decorative models covers a wide range of urban applications with a distinctive family look
- Dedicated bowls with top covers that prevent upward light emission to prevent obtrusive light
- Range of bowls offer a choice of soft, diffuse lighting or bright, direct illumination

Features

- Choice of eight decorative models; family design aesthetic
- Dedicated bowls offer a choice of soft, diffuse lighting or bright, direct illumination
- Top covers prevent obtrusive upward light

PHILIPS

Application

- Urban, pedestrian and residential areas
- City and business centers

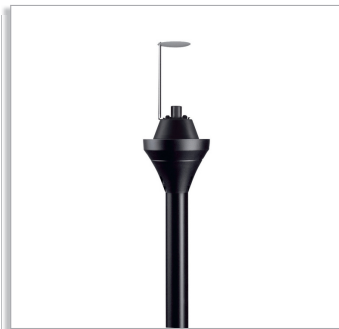
- Squares, promenades

Specifications

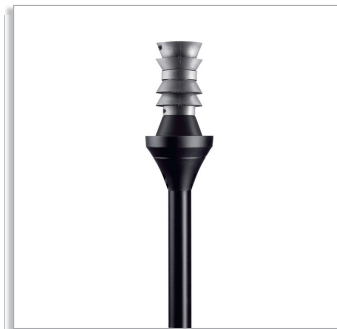
- **Type** GPS301/302/303/304/306/307/308/309 (bowls)
EPS300 (pole mounts)
- **Light source** HID:
- 1 x SON-T / E27 / 70 W
- 1 x SON-T / E40 / 100, 150 W
- 1 x SON-I / E27 / 70 W
Compact fluorescent:
- 1 x MASTER PL-T 4 Pin / GX24q-4 / 42 W
Incandescent
- 1 x incandescent / E27 / max 100 W
- **Lamp included** No
- **Gear** Electro magnetic (low loss), 230 or 240 V / 50 Hz:
- Inductive, parallel compensated (IC)
Electronic, 220 - 240 V / 50 - 60 Hz:
- High Frequency Performer (HFP)
- **Optical element** Louver (LO)
Louver, direct/indirect (LO-D/I)
- **Safety device** Heat shield (HSH)
- **Materials and finishing** Bowls and top covers: UV stabilized, impact resistant. Top covers painted inside white and outside black
Pole mount and gear cover: glass-fiber reinforced polyamide, black
Louver: sandblasted die-cast aluminum
Heat shield: pre-galvanized steel

- **Installation** Post-top mounting: axial entry Ø 60
Recommended mounting height: 3.5 - 4 m
- **Accessories** Top covers:
- GPS301 PCO-D400 (Polar 400) for soft, diffuse light
- GPS302 PCO-D500 (Polar 500) for soft, diffuse light
- GPS303 PCC-D400 (Cristal 400) for bright light
- GPS304 PCC-D500 (Cristal 500) for bright light
- GPS306 PCC-R-D500 (Luner) to prevent upward light distribution
- GPS307 PCO-R (Arctic) to prevent upward light distribution
- GPS308 PCC-R (Forest) to prevent upward light distribution
- GPS309 PCC-R (Tropic) to prevent upward light distribution
- **Main applications** Urban, pedestrian and residential areas, city and business centers, squares, promenades

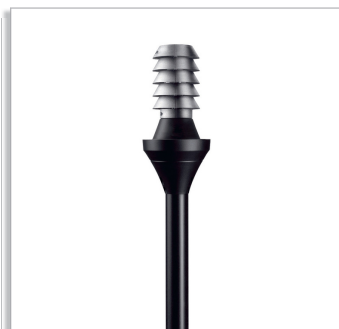
Related products



Urbana EPS300 urban-lighting luminaire with heat shield (HSH)

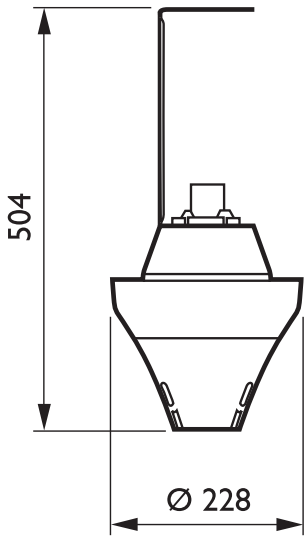


Urbana EPS300 urban-lighting luminaire with internal louver, with direct/indirect lighting (LO-D/I)

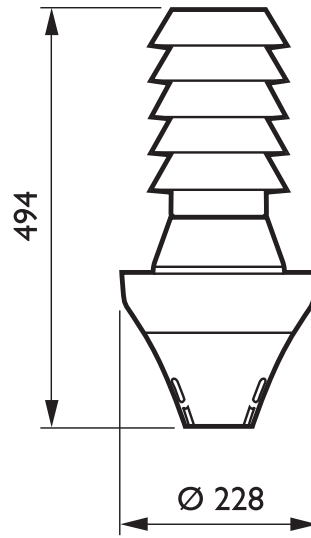


Urbana EPS300 urban-lighting luminaire with internal louver (LO)

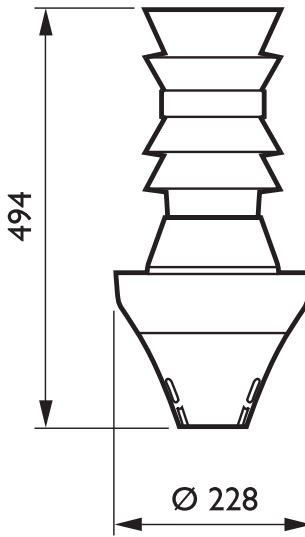
Dimensional drawing



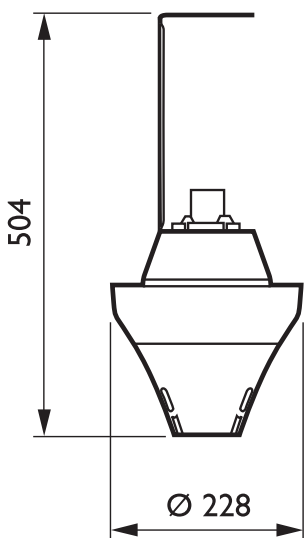
EPS300 PL-T/4P42W HFP 220-240V HSH



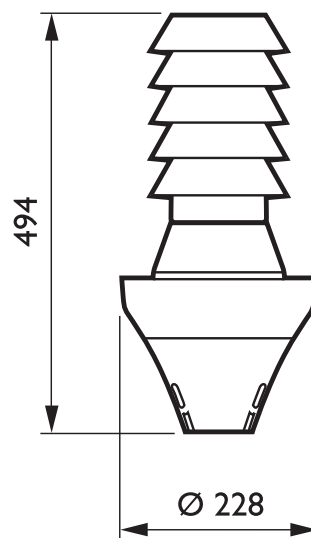
EPS300 PL-T/4P42W HFP 220-240V HSH



EPS300 PL-T/4P42W HFP 220-240V HSH

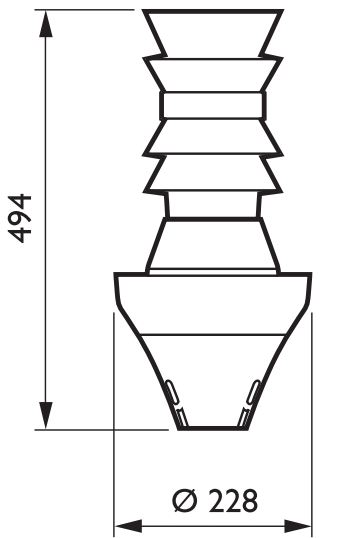


EPS300 PL-T/4P42W HFP 220-240V HSH



EPS300 PL-T/4P42W HFP 220-240V HSH

Dimensional drawing



EPS300 PL-T/4P42W HFP 220-240V HSH

Product details



Quarter turn to open

General information

Order code	Product family code	Lamp family code	Lamp power	Cap-base	Gear	IK code	Optical element	European Community mark	ENEC mark
910500971212	EPS300	PL-T/4P	42 W	GX24q-4	HFP	IK10	No	CE	No
910500972412	EPS300	-	-	E27	No	IK10	No	CE	No
910500978312	EPS300	CDO-ET	100 W	E40	CONV	IK10	No	CE	ENEC
910500978612	EPS300	CDO-ET	100 W	E40	CONV	IK10	No	CE	ENEC
910500978912	EPS300	CDO-ET	150 W	E40	CONV	IK10	No	CE	ENEC
910500979012	EPS300	CDO-ET	150 W	E40	CONV	IK10	No	CE	ENEC
910500979112	EPS300	CDO-ET	50 W	E27	CONV	IK10	No	CE	ENEC
910500979412	EPS300	CDO-ET	50 W	E27	CONV	IK10	No	CE	ENEC
910500979712	EPS300	CDO-ET	70 W	E27	CONV	IK10	No	CE	ENEC
910500980012	EPS300	CDO-ET	70 W	E27	CONV	IK10	No	CE	ENEC
910500980312	EPS300	CDO-TT	100 W	E40	CONV	IK10	No	CE	ENEC
910500980612	EPS300	CDO-TT	100 W	E40	CONV	IK10	No	CE	ENEC
910500980912	EPS300	CDO-TT	150 W	E40	CONV	IK10	No	CE	ENEC
910500981212	EPS300	CDO-TT	150 W	E40	CONV	IK10	No	CE	ENEC
910500981512	EPS300	CDO-TT	50 W	E27	CONV	IK10	No	CE	ENEC

Order code	Product family code	Lamp family code	Lamp power	Cap-base	Gear	IK code	Optical element	European Community mark	ENEC mark
910500981812	EPS300	CDO-TT	50 W	E27	CONV	IK10	No	CE	ENEC
910500982112	EPS300	CDO-TT	70 W	E27	CONV	IK10	No	CE	ENEC
910500982412	EPS300	CDO-TT	70 W	E27	CONV	IK10	No	CE	ENEC
910500982712	EPS300	SON-T	100 W	E40	CONV	IK10	No	CE	ENEC
910500983012	EPS300	SON-T	150 W	E40	CONV	IK10	No	CE	ENEC
910500983312	EPS300	SON-T	150 W	E40	CONV	IK10	No	CE	ENEC
910500983612	EPS300	SON-T	50 W	E27	CONV	IK10	No	CE	ENEC
910500983912	EPS300	SON-T	50 W	E27	CONV	IK10	No	CE	ENEC
910500984212	EPS300	SON-T	70 W	E27	CONV	IK10	No	CE	ENEC
910500984512	EPS300	SON-T	70 W	E27	CONV	IK10	No	CE	ENEC
910500984812	EPS300	SON-I	70 W	E27	CONV	IK10	No	CE	ENEC
910925712212	EPS300	HPL-N	125 W	E27	CONV	IK10	No	CE	ENEC
-	EPS300	HPL-N	125 W	E27	CONV	IK10	No	CE	ENEC
-	EPS300	HPL-N	80 W	E27	CONV	IK10	No	CE	ENEC
910925713112	EPS300	-	-	E40	No	IK10	No	No	No
910500985212	EPS300	CDO-ET	100 W	E40	CONV	IK10	LO-D/I	CE	ENEC
910500985412	EPS300	CDO-ET	100 W	E40	CONV	IK10	LO-D/I	CE	ENEC
910500985612	EPS300	CDO-ET	50 W	E27	CONV	IK10	LO-D/I	CE	ENEC
910500985812	EPS300	CDO-ET	50 W	E27	CONV	IK10	LO-D/I	CE	ENEC
910500986012	EPS300	CDO-ET	70 W	E27	CONV	IK10	LO-D/I	CE	ENEC
910500986212	EPS300	CDO-ET	70 W	E27	CONV	IK10	LO-D/I	CE	ENEC
910500986412	EPS300	CDO-TT	100 W	E40	CONV	IK10	LO-D/I	CE	ENEC
910500986612	EPS300	CDO-TT	100 W	E40	CONV	IK10	LO-D/I	CE	ENEC
910500986812	EPS300	CDO-TT	150 W	E40	CONV	IK10	LO-D/I	CE	ENEC
910500987012	EPS300	CDO-TT	150 W	E40	CONV	IK10	LO-D/I	CE	ENEC
910500987212	EPS300	CDO-TT	50 W	E27	CONV	IK10	LO-D/I	CE	ENEC
910500987412	EPS300	CDO-TT	50 W	E27	CONV	IK10	LO-D/I	CE	ENEC
910500987612	EPS300	CDO-TT	70 W	E27	CONV	IK10	LO-D/I	CE	ENEC
910500987812	EPS300	CDO-TT	70 W	E27	CONV	IK10	LO-D/I	CE	ENEC
910500988012	EPS300	SON-T	100 W	E40	CONV	IK10	LO-D/I	CE	ENEC
910500988212	EPS300	SON-T	150 W	E40	CONV	IK10	LO-D/I	CE	ENEC
910500988412	EPS300	SON-T	150 W	E40	CONV	IK10	LO-D/I	CE	ENEC
910500988612	EPS300	SON-T	50 W	E27	CONV	IK10	LO-D/I	CE	ENEC
910500988812	EPS300	SON-T	50 W	E27	CONV	IK10	LO-D/I	CE	ENEC
910500989012	EPS300	SON-T	70 W	E27	CONV	IK10	LO-D/I	CE	ENEC
910500989212	EPS300	SON-T	70 W	E27	CONV	IK10	LO-D/I	CE	ENEC
910500989412	EPS300	SON-I	70 W	E27	CONV	IK10	LO-D/I	CE	ENEC
910500990212	EPS300	-	-	E27	No	IK10	LO-D/I	CE	No
910500990412	EPS300	PL-T/4P	42 W	GX24q-4	HFP	IK10	LO-D/I	CE	No
-	EPS300	HPL-N	125 W	E27	CONV	IK10	LO-D/I	CE	ENEC
-	EPS300	HPL-N	125 W	E27	CONV	IK10	LO-D/I	CE	ENEC
-	EPS300	HPL-N	80 W	E27	CONV	IK10	LO-D/I	CE	ENEC
910925713312	EPS300	-	-	E40	No	IK10	LO-D/I	No	No
910500971312	EPS300	PL-T/4P	42 W	GX24q-4	HFP	IK10	LO	CE	No
910500972512	EPS300	-	-	E27	No	IK10	LO	CE	No
910500978412	EPS300	CDO-ET	100 W	E40	CONV	IK10	LO	CE	ENEC
910500978712	EPS300	CDO-ET	100 W	E40	CONV	IK10	LO	CE	ENEC
910500979212	EPS300	CDO-ET	50 W	E27	CONV	IK10	LO	CE	ENEC

Order code	Product family code	Lamp family code	Lamp power	Cap-base	Gear	IK code	Optical element	European Community mark	ENEC mark
910500979512	EPS300	CDO-ET	50 W	E27	CONV	IK10	LO	CE	ENEC
910500979812	EPS300	CDO-ET	70 W	E27	CONV	IK10	LO	CE	ENEC
910500980112	EPS300	CDO-ET	70 W	E27	CONV	IK10	LO	CE	ENEC
910500980412	EPS300	CDO-TT	100 W	E40	CONV	IK10	LO	CE	ENEC
910500980712	EPS300	CDO-TT	100 W	E40	CONV	IK10	LO	CE	ENEC
910500981012	EPS300	CDO-TT	150 W	E40	CONV	IK10	LO	CE	ENEC
910500981312	EPS300	CDO-TT	150 W	E40	CONV	IK10	LO	CE	ENEC
910500981612	EPS300	CDO-TT	50 W	E27	CONV	IK10	LO	CE	ENEC
910500981912	EPS300	CDO-TT	50 W	E27	CONV	IK10	LO	CE	ENEC
910500982212	EPS300	CDO-TT	70 W	E27	CONV	IK10	LO	CE	ENEC
910500982512	EPS300	CDO-TT	70 W	E27	CONV	IK10	LO	CE	ENEC
910500983112	EPS300	SON-T	150 W	E40	CONV	IK10	LO	CE	ENEC
910500983412	EPS300	SON-T	150 W	E40	CONV	IK10	LO	CE	ENEC
910500983712	EPS300	SON-T	50 W	E27	CONV	IK10	LO	CE	ENEC
910500984012	EPS300	SON-T	50 W	E27	CONV	IK10	LO	CE	ENEC
910500984312	EPS300	SON-T	70 W	E27	CONV	IK10	LO	CE	ENEC
910500984612	EPS300	SON-T	70 W	E27	CONV	IK10	LO	CE	ENEC
910500985112	EPS300	CDO-ET	100 W	E40	CONV	IK10	LO	CE	ENEC
910500985312	EPS300	CDO-ET	100 W	E40	CONV	IK10	LO	CE	ENEC
910500985512	EPS300	CDO-ET	50 W	E27	CONV	IK10	LO	CE	ENEC
910500985712	EPS300	CDO-ET	50 W	E27	CONV	IK10	LO	CE	ENEC
910500985912	EPS300	CDO-ET	70 W	E27	CONV	IK10	LO	CE	ENEC
910500986112	EPS300	CDO-ET	70 W	E27	CONV	IK10	LO	CE	ENEC
910500986312	EPS300	CDO-TT	100 W	E40	CONV	IK10	LO	CE	ENEC
910500986512	EPS300	CDO-TT	100 W	E40	CONV	IK10	LO	CE	ENEC
910500986712	EPS300	CDO-TT	150 W	E40	CONV	IK10	LO	CE	ENEC
910500986912	EPS300	CDO-TT	150 W	E40	CONV	IK10	LO	CE	ENEC
910500987112	EPS300	CDO-TT	50 W	E27	CONV	IK10	LO	CE	ENEC
910500987312	EPS300	CDO-TT	50 W	E27	CONV	IK10	LO	CE	ENEC
910500987512	EPS300	CDO-TT	70 W	E27	CONV	IK10	LO	CE	ENEC
910500987712	EPS300	CDO-TT	70 W	E27	CONV	IK10	LO	CE	ENEC
910500987912	EPS300	SON-T	100 W	E40	CONV	IK10	LO	CE	ENEC
910500988112	EPS300	SON-T	150 W	E40	CONV	IK10	LO	CE	ENEC
910500988312	EPS300	SON-T	150 W	E40	CONV	IK10	LO	CE	ENEC
910500988512	EPS300	SON-T	50 W	E27	CONV	IK10	LO	CE	ENEC
910500988712	EPS300	SON-T	50 W	E27	CONV	IK10	LO	CE	ENEC
910500988912	EPS300	SON-T	70 W	E27	CONV	IK10	LO	CE	ENEC
910500989112	EPS300	SON-T	70 W	E27	CONV	IK10	LO	CE	ENEC
910500989312	EPS300	SON-I	70 W	E27	CONV	IK10	LO	CE	ENEC
910500990112	EPS300	-	-	E27	No	IK10	LO	CE	No
910500990312	EPS300	PL-T/4P	42 W	GX24q-4	HFP	IK10	LO	CE	No
-	EPS300	HPL-N	125 W	E27	CONV	IK10	LO	CE	ENEC
910925712612	EPS300	HPL-N	125 W	E27	CONV	IK10	LO	CE	ENEC
-	EPS300	HPL-N	80 W	E27	CONV	IK10	LO	CE	ENEC
910925713212	EPS300	-	-	E40	No	IK10	LO	No	No

Accessories



GPS301 PCO-D400

Urbana Polar EPS300 Urban lighting luminaire with opal 400 diameter bowl cover (PCO-D400), to be ordered separately



GPS302 PCO-D500

Urbana Polar EPS300 Urban lighting luminaire with opal 500 diameter bowl cover (PCO-D500), to be ordered separately



GPS308 PCC-R

Urbana Forest EPS300 Urban lighting luminaire with clear cylinder bowl with reflector (PCC-R), to be ordered separately



GPS307 PCO-R

Urbana Arctic EPS300 Urban lighting luminaire with opal cylinder bowl with reflector (PCO-R), to be ordered separately



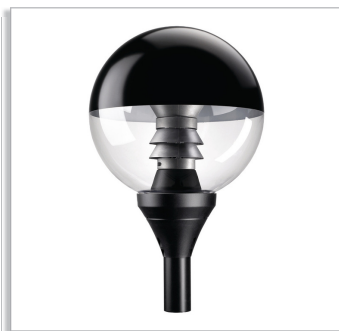
GPS303 PCC-D400

Urbana Cristal EPS300 Urban lighting luminaire with clear 400 diameter bowl cover (PCC-D400), to be ordered separately



GPS304 PCC-D500

Urbana Cristal EPS300 Urban lighting luminaire with clear 500 diameter bowl cover (PCC-D500), to be ordered separately



GPS306 PCC-R-D500

Urbana Luner EPS300 Urban lighting luminaire with clear 500 diameter bowl cover with reflector (PCC-R), to be ordered separately



GPS309 PCC-R

Urbana Tropic EPS300 Urban lighting luminaire with clear conical bowl cover with reflector (PCC-R), to be ordered separately

Accessories

Order code	Product family code	Description
910503648218	GPS301 PCO-D400	Polycarbonate cover opal diameter 400 mm
910503648418	GPS302 PCO-D500	Polycarbonate cover opal diameter 500 mm
910930004718	GPS303 PCC-D400	Polycarbonate cover clear diameter 400 mm
910930004818	GPS304 PCC-D500	Polycarbonate cover clear diameter 500 mm
910930005018	GPS306 PCC-R-D500	Polycarbonate cover clear with reflector diameter 500 mm
910930005318	GPS309 PCC-R	Polycarbonate cover clear with reflector

Order code	Product family code	Description
910925200112	GPS307 PCO-R	Polycarbonate cover opal with reflector
910925200012	GPS308 PCC-R	Polycarbonate cover clear with reflector



© 2013 Koninklijke Philips N.V. (Royal Philips)
All rights reserved.

Specifications are subject to change without notice. Trademarks are the property of Koninklijke Philips N.V. (Royal Philips) or their respective owners.

www.philips.com/lighting

2013, July 3
data subject to change